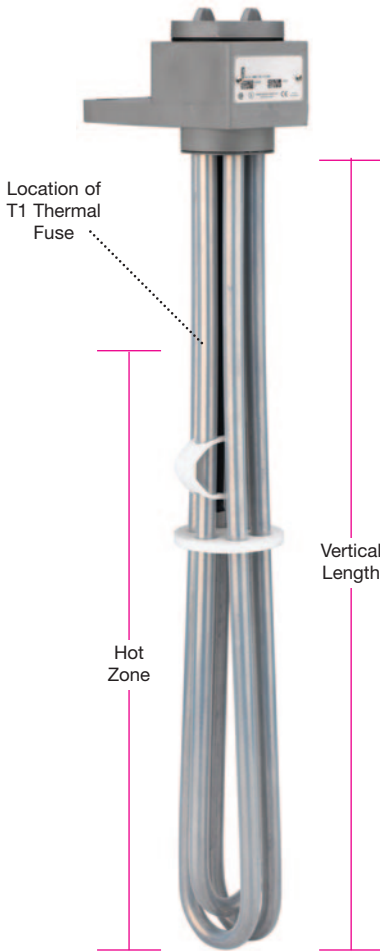


Fluoropolymer (PTFE) Three-Element Over-the-Side Heater



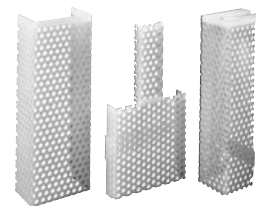
Typical Applications

Compatible with most plating tank solutions; inert to acids, anodizing and pickling solutions up to 190°F (88°C). Check compatibility guide on pages 11-88 and 11-89 and with chemical supplier for proper sheath material selection.

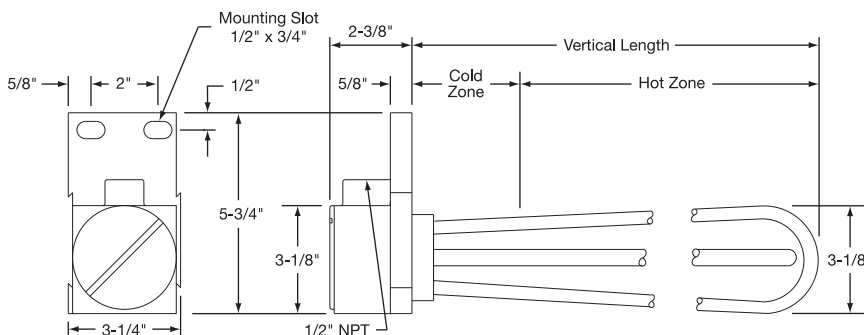
Replaces more expensive alumina or graphite heaters.

Design Features

- * 10 watts/in² (1.6 watts/cm²) for long service life
- * Non-contaminating Fluoropolymer (PTFE) covered stainless steel elements
- * T1 thermal fuse protection standard; T2 bi-metal switch optional
- * Grounded internal metal element for safety
- * UL listed for US and Canada
- * Lightweight, non-floating construction
- * Vapor-tight polypropylene terminal enclosure with universal mounting bracket
- * Standard 3-ft. flexible PVC liquid-tight conduit
- * Single-Phase for 120V, three-phase for 240V or 480V standard
- * 120, 240, 480 volts standard as listed — other voltages available
- * Longer lengths available; consult Tempco



Note: Guards are recommended for all fluoropolymer heaters. Standard guards are made of polypropylene. Fluoropolymer (PTFE) guards are available for chromic acid and temperatures above 180°F (82°C).



Standard (Non-Stock) Sizes and Ratings with Polypropylene Guard

Watts	Part Number			Hot Zone		Vertical Length	
	120V	240V	480V	in	mm	in	mm
1000	TMT06001	TMT06002	—	10	254	17	432
1500	TMT06003	TMT06004	TMT06005	16	406	23	584
2000	—	TMT06007	TMT06008	22	559	29	737
3000	—	TMT06009	TMT06010	29	737	35	889
4000	—	TMT06011	TMT06012	39	991	47	1194
5000	—	TMT06013	TMT06014	48	1219	59	1499
6000	—	TMT06015	TMT06016	56	1422	68	1727

Ordering Information
 See page 11-90

Standard lead time is 2 to 3 weeks.