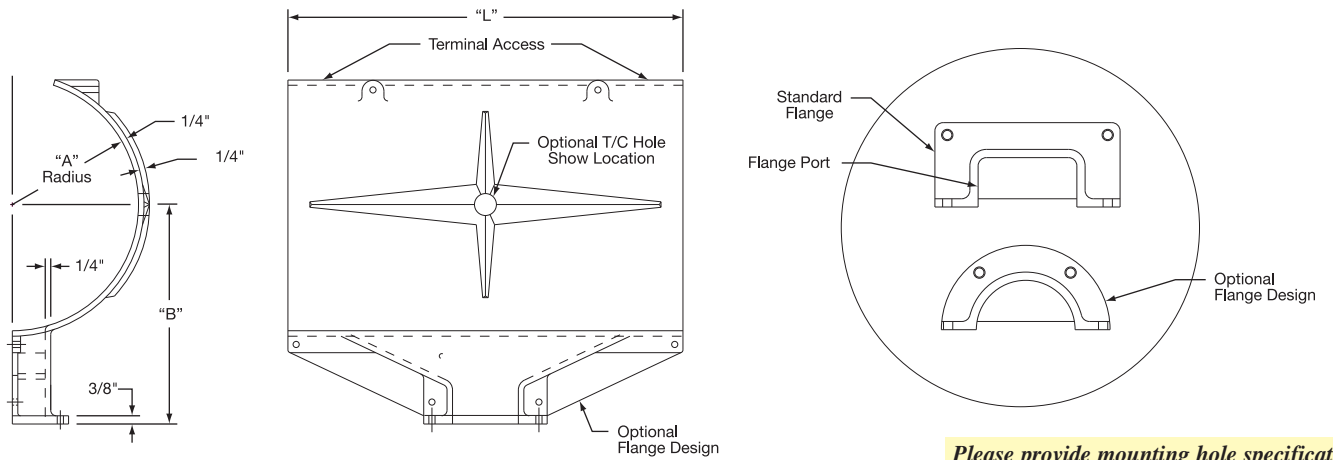


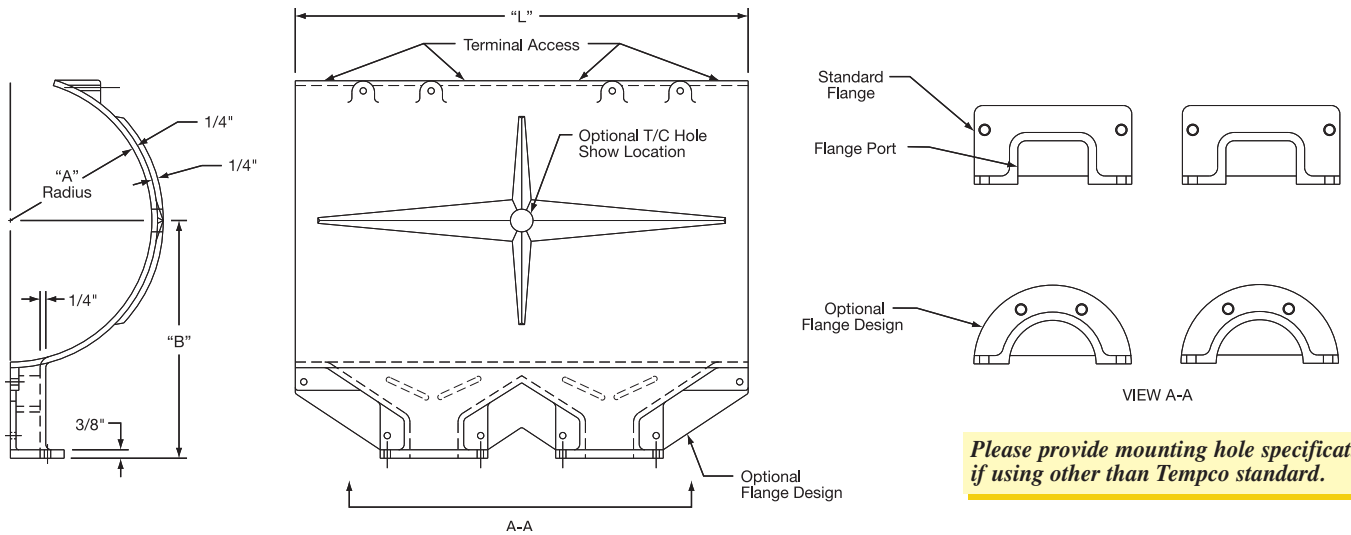
Selection of Arctic Cast® Shroud Design Styles

Shroud Style A



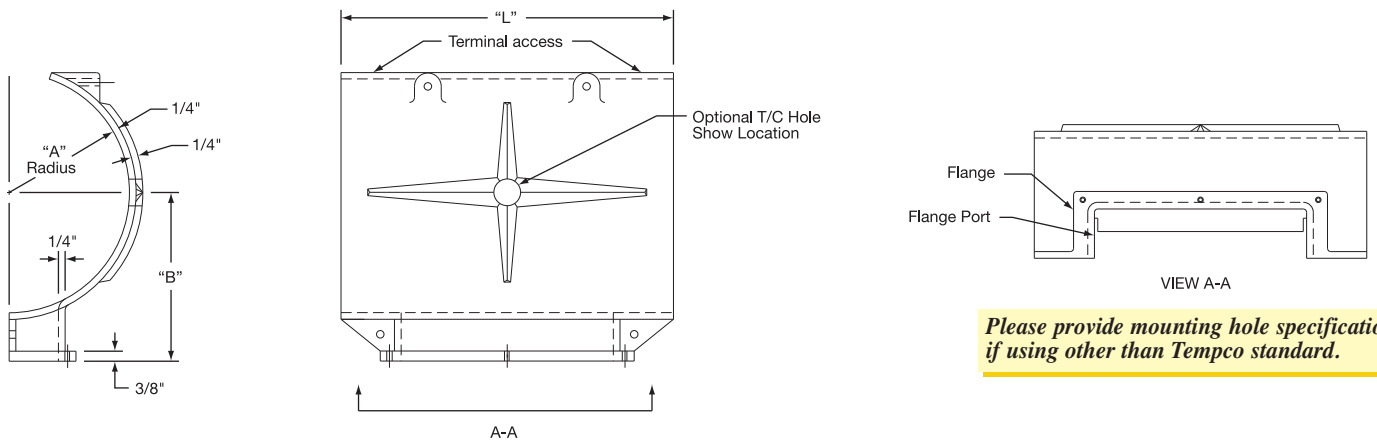
Please provide mounting hole specifications if using other than Tempco standard.

Shroud Style B



Please provide mounting hole specifications if using other than Tempco standard.

Shroud Style C



Please provide mounting hole specifications if using other than Tempco standard.