

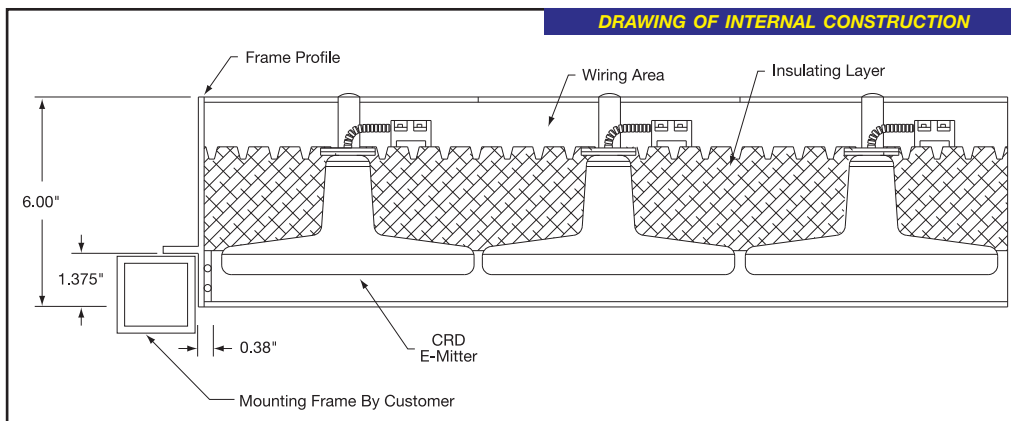


ARA Array Assemblies for CRD E-Mitters



Design Features

- * *Lightweight extruded aluminum outer housing.*
- * *All metal interior components are stainless steel.*
- * *Designed for use with Style CRD E-Mitters, pages 7-10 and 7-11.*
- * *Each heater's power leads are connected to an individual ceramic Terminal Block.*
- * *NCC or Nickel wire with heat resistant insulation is used for wiring between terminal blocks.*
- * *Zones with different radiant heat levels can be achieved by using different wattage heaters (each zone would have a heater with built-in thermocouple for temperature control).*
- * *Shipped fully assembled.*
- * *Optional factory wiring and power control panels.*
- * *Optional ceramic fiber insulation in wiring space.*
- * *Optional entrances in rear cover or sides to customer specs.*



The housing for the CRD heaters is the same construction as all ARA arrays except for the extra height needed for the long shaft of the CRD heaters. This space is then filled with ceramic fiber insulation with foil backing to keep the wiring and terminal area much cooler.

Ordering Information

Refer to the worksheet on page 7-36