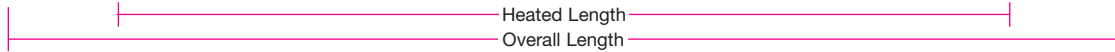




TRH2 Series — Dual Straight Element Double End Termination

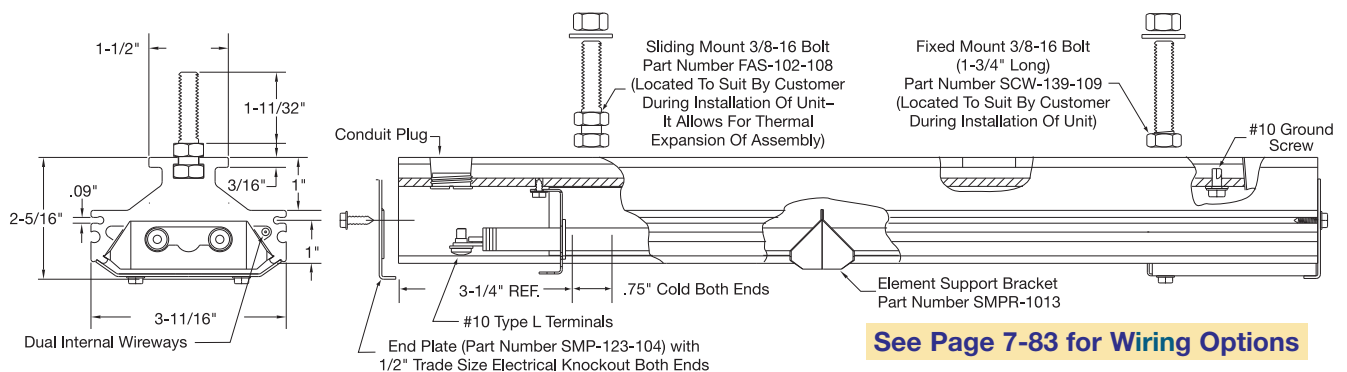


Standard (Non-Stock) Sizes and Electrical Ratings

Wattage	Volts	Overall Length in.	Heated Length in.	Part Number without Wire Guard	Part Number with Protective Wire Guard	Replacement Heating Element	Replacement Protective Wire Guard	Replacement Reflector Set
1200	120	18	10	TRH20001	TRH20054	THE09100	GRD-104-104	SMPR-1018
	208			TRH20002	TRH20055	THE09101		
	240			TRH20003	TRH20056	THE09102		
	277			TRH20004	TRH20057	THE09103		
1600	120	24	16	TRH20005	TRH20058	THE09104	GRD-104-105	SMPR-1019
	208			TRH20006	TRH20059	THE09105		
	240			TRH20007	TRH20060	THE09106		
	277			TRH20008	TRH20061	THE09107		
2200	120	30	22	TRH20009	TRH20062	THE09108	GRD-104-106	SMPR-1020
	208			TRH20010	TRH20063	THE09109		
	240			TRH20011	TRH20064	THE09110		
	277			TRH20012	TRH20065	THE09111		
2600	208	36	28	TRH20014	TRH20067	THE09113	GRD-104-107	SMPR-1021
	240			TRH20015	TRH20068	THE09114		
	277			TRH20016	TRH20069	THE09115		
	480			TRH20017	TRH20070	THE09116		
3600	208	48	40	TRH20018	TRH20071	THE09117	GRD-104-108	SMPR-1022
	240			TRH20019	TRH20072	THE09118		
	277			TRH20020	TRH20073	THE09119		
	480			TRH20021	TRH20074	THE09120		
5000	208	60	51	TRH20022	TRH20075	THE09121	GRD-104-109	SMPR-1023
	240			TRH20023	TRH20050	THE09122		
	277			TRH20024	TRH20076	THE09123		
	480			TRH20025	TRH20077	THE09124		
6000	208	72	63	TRH20026	TRH20078	THE09125	GRD-104-110	SMPR-1024
	240			TRH20027	TRH20079	THE09126		
	277			TRH20028	TRH20080	THE09127		
	480			TRH20029	TRH20081	THE09128		
7200	208	84	75	TRH20030	TRH20082	THE09129	GRD-104-111	SMPR-1025
	240			TRH20031	TRH20083	THE09130		
	277			TRH20032	TRH20084	THE09131		
	480			TRH20033	TRH20085	THE09132		



Note: Tubular elements are supplied at the same rated voltage as the overall assembly and are wired in parallel. 120 or 240V rated assemblies can be used at twice the rated voltage by wiring the elements in series (120/240V or 240/480V).



See Page 7-83 for Wiring Options

See Page 7-84 for Stock Heavy Duty Quick Disconnect Plugs and Receptacles